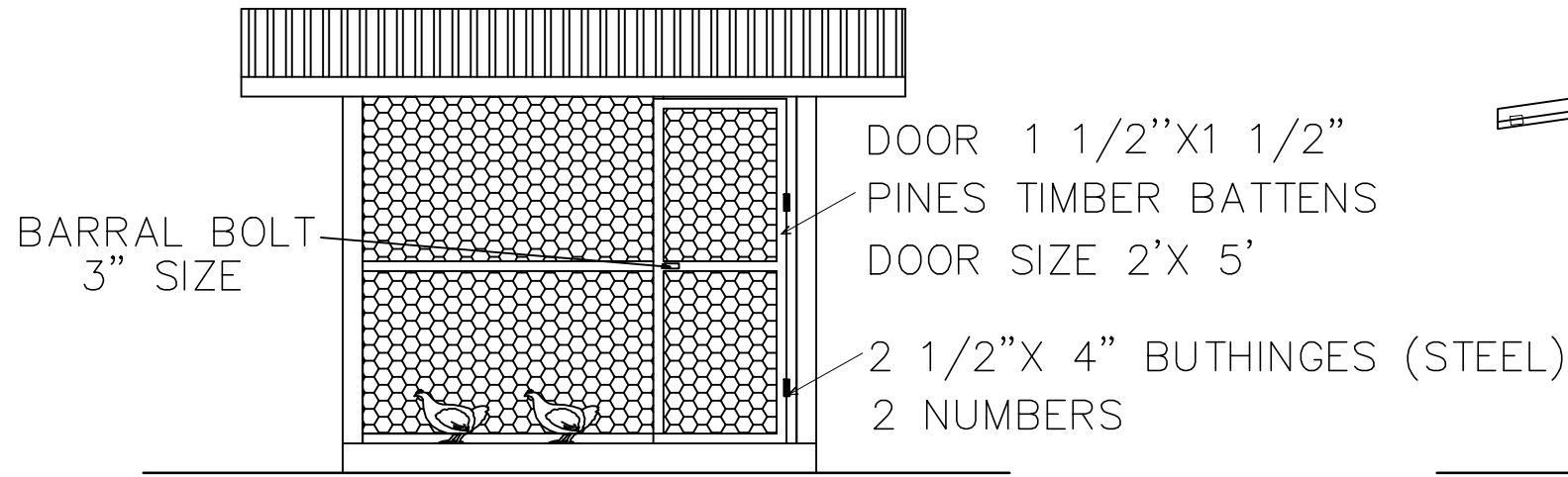
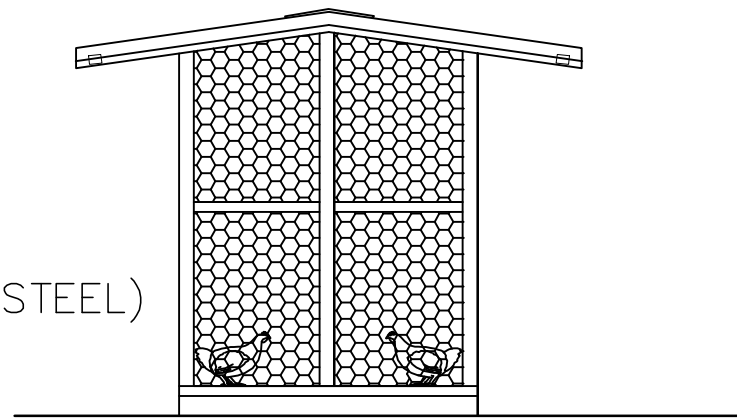


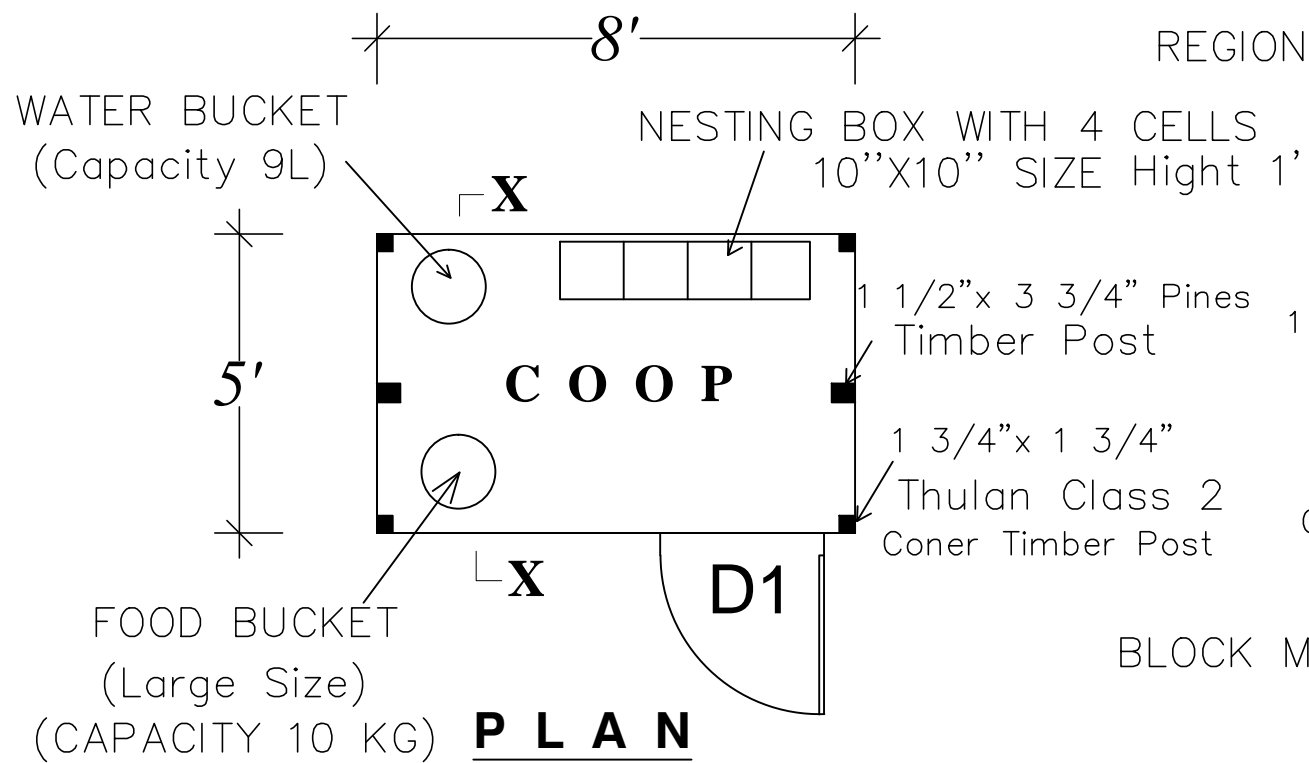
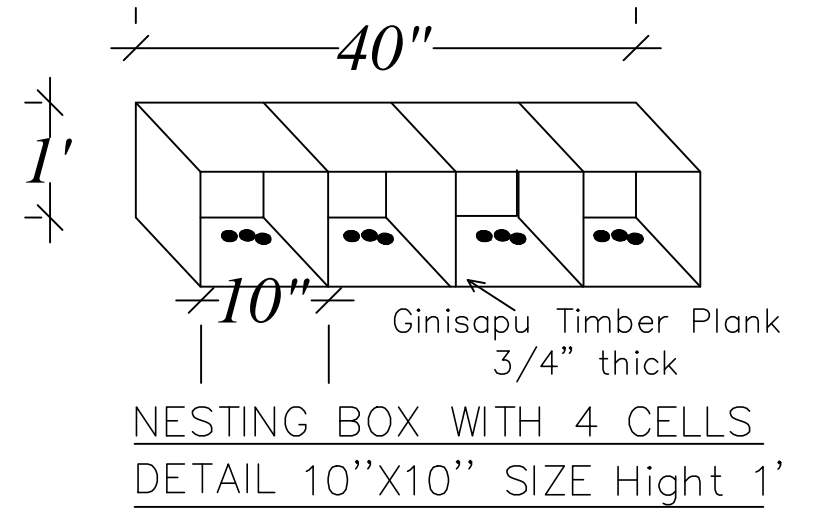
CHICKEN COOP SIZE 8' x 5'



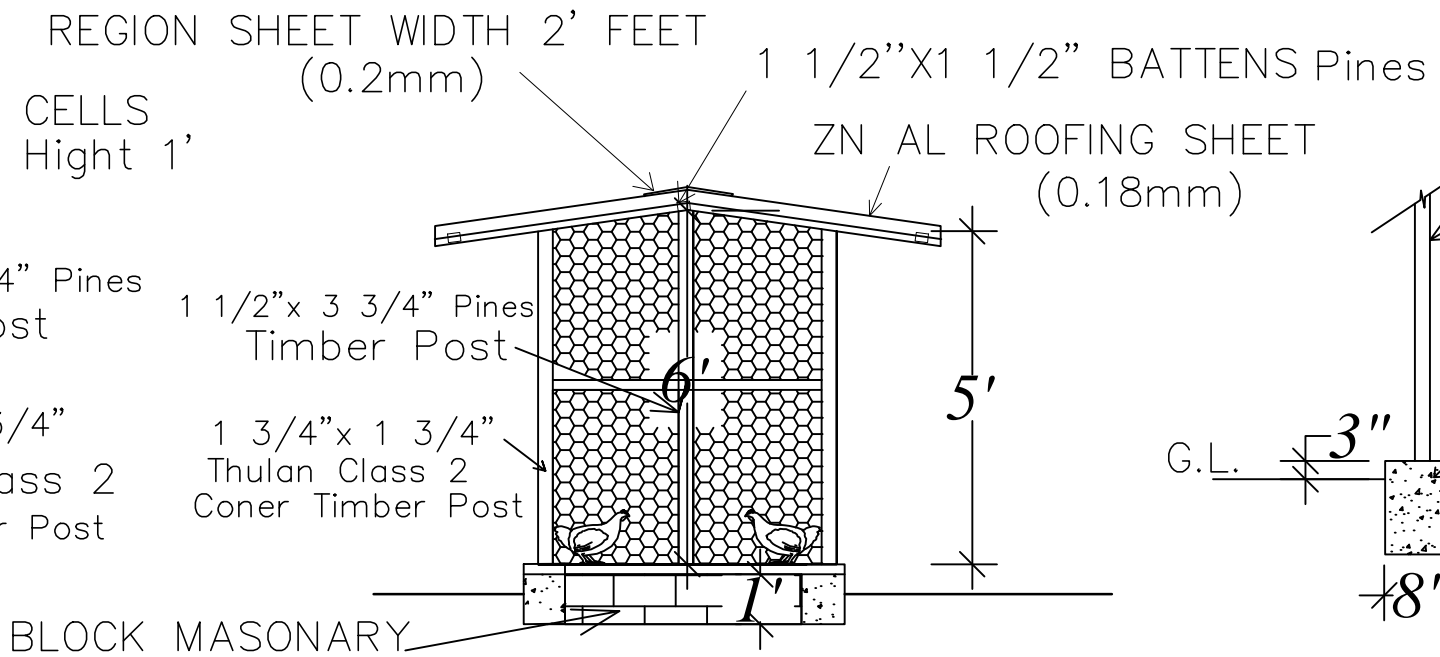
FRONT ELEVATION



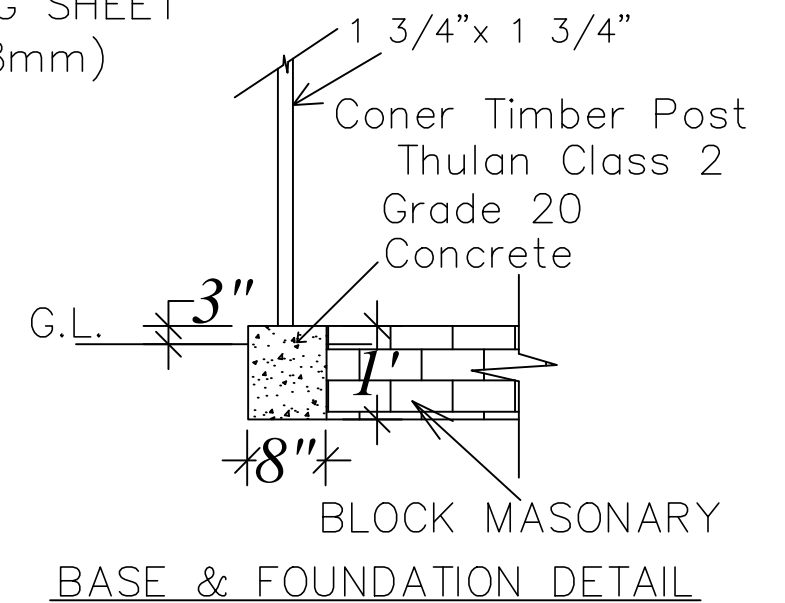
SIDE ELEVATION



PLAN



SECTION X-X



BASE & FOUNDATION DETAIL